

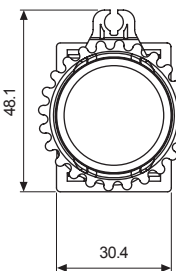
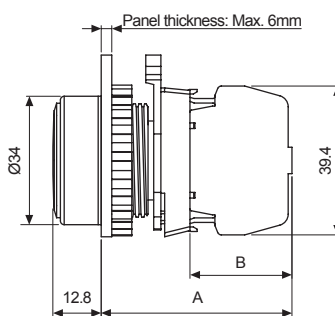


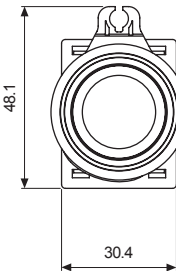
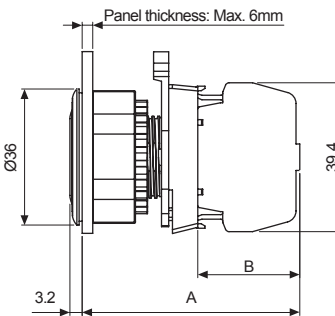


Ø30 Round Push Button Switches (S3PR Series)

Type	Appearance	Model	Contact block		LED block										
			A contact	B contact	AC/DC voltage	AC voltage									
Extended	 <p>S3PR-P1R□</p> 	S3PR-P1□A(M)	1	—	—	—									
		S3PR-P1□2A(M)	2	—											
		S3PR-P1□3A(M)	3	—											
		S3PR-P1□B(M)	—	1											
		S3PR-P1□2B(M)	—	2											
		S3PR-P1□3B(M)	—	3											
		S3PR-P1□AB(M)	1	1											
		S3PR-P1□2AB(M)	2	1											
		S3PR-P1□A2B(M)	1	2											
<p>※□ indicates color : R, B, G, Y, K</p> <p>※The M in the model name indicates modular type contact block. Models without M are singular contact block.</p> <p>※The control unit, contact blocks, LED blocks are sold separately. (control unit: bold letters, contact block: regular letters)</p> <p>• Dimensions (unit: mm)</p> <div style="display: flex; justify-content: space-around;">   <table border="1" style="margin-left: auto;"> <thead> <tr> <th></th> <th>A</th> <th>B</th> </tr> </thead> <tbody> <tr> <td>Singular type</td> <td>50.5</td> <td>27.0</td> </tr> <tr> <td>Modular type</td> <td>48.5</td> <td>25.0</td> </tr> </tbody> </table> </div> <p style="text-align: right;">※For panel cut-out dimensions, please refer to page A-105.</p>								A	B	Singular type	50.5	27.0	Modular type	48.5	25.0
	A	B													
Singular type	50.5	27.0													
Modular type	48.5	25.0													

Type	Appearance	Model	Contact block		LED block										
			A contact	B contact	AC/DC voltage	AC voltage									
Flush	 <p>S3PF-P1B□</p> 	S3PF-P1□A(M)	1	—	—	—									
		S3PF-P1□2A(M)	2	—											
		S3PF-P1□3A(M)	3	—											
		S3PF-P1□B(M)	—	1											
		S3PF-P1□2B(M)	—	2											
		S3PF-P1□3B(M)	—	3											
		S3PF-P1□AB(M)	1	1											
		S3PF-P1□2AB(M)	2	1											
		S3PF-P1□A2B(M)	1	2											
<p>※□ indicates color : R, B, G, Y, K</p> <p>※The M in the model name indicates modular type contact block. Models without M are singular contact block.</p> <p>※The control unit, contact blocks, LED blocks are sold separately. (control unit: bold letters, contact block: regular letters)</p> <p>• Dimensions (unit: mm)</p> <div style="display: flex; justify-content: space-around;">   <table border="1" style="margin-left: auto;"> <thead> <tr> <th></th> <th>A</th> <th>B</th> </tr> </thead> <tbody> <tr> <td>Singular type</td> <td>57.6</td> <td>27.0</td> </tr> <tr> <td>Modular type</td> <td>55.6</td> <td>25.0</td> </tr> </tbody> </table> </div> <p style="text-align: right;">※For panel cut-out dimensions, please refer to page A-105.</p>								A	B	Singular type	57.6	27.0	Modular type	55.6	25.0
	A	B													
Singular type	57.6	27.0													
Modular type	55.6	25.0													



Ø30 Push Button Switches

Control Switches

Ø16

Ø22/25

Ø30

Ø30

Push Button Switches

Round

Square

Rectangular

Selector Switches

Round

Square

Rectangular

Key Selector Switches

Round

Square

Rectangular

Double Push Button Switches



Mushroom-head Push Button Switches

Emergency Switches

Pilot Lights

Accessories

Buzzers

Type	Appearance	Model	Contact block		LED block		
			A contact	B contact	AC/DC voltage	AC voltage	
Flush (illuminated)	 S3PFU-P3G□ 	Modular contact	S3PF(U)-P3□ADM	1	—	1	—
			S3PF(U)-P3□2ADM	2	—		
			S3PF(U)-P3□BDM	—	1		
			S3PF(U)-P3□2BDM	—	2		
			S3PF(U)-P3□ABDM	1	1	—	1
			S3PF(U)-P3□ALM	1	—		
			S3PF(U)-P3□2ALM	2	—		
			S3PF(U)-P3□BLM	—	1		
			S3PF(U)-P3□2BLM	—	2		
			S3PF(U)-P3□ABLM	1	1		

□ indicates color: **R**, **B**, **G**, **Y**, **W**

※ The control unit, contact blocks, LED blocks are sold separately.

(control unit: bold letters, contact block: regular letters)

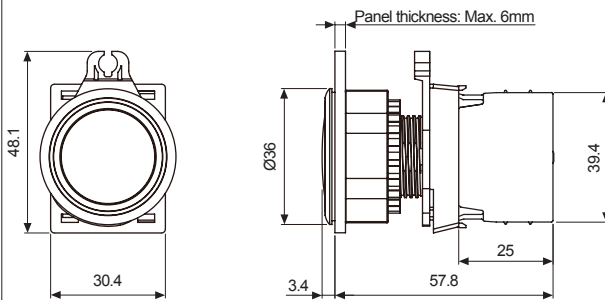
※ Control unit+contact block (modular type) models do not contain "Push" markings on the button cap.

※ Models with 'U' in the model name is available only for control unit. 'U' models do not contain "Push" markings on the button cap.



※ The LED color is the same as the control unit. ※ Waterproof cap (model: SA-WP) is available.

• Dimensions

(unit: mm)



※ For panel cut-out dimensions, please refer to page A-105.

Appearance	Model	Contact block		LED block		
		A contact	B contact	AC/DC voltage	AC voltage	
 S3PF-P3G□ 	Singular contact	S3PF(U)-P3□AD	1	—	1	—
		S3PF(U)-P3□2AD	2	—		
		S3PF(U)-P3□BD	—	1		
		S3PF(U)-P3□2BD	—	2		
		S3PF(U)-P3□ABD	1	1	—	1
		S3PF(U)-P3□AL	1	—		
		S3PF(U)-P3□2AL	2	—		
		S3PF(U)-P3□BL	—	1		
		S3PF(U)-P3□2BL	—	2		
		S3PF(U)-P3□ABL	1	1		

□ indicates color: **R**, **B**, **G**, **Y**, **W**

※ The control unit, contact blocks, LED blocks are sold separately.

(control unit: bold letters, contact block: regular letters)

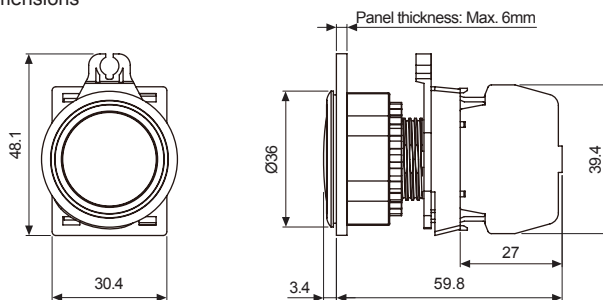
※ Control unit+contact block (singular type) models contain "Push" markings on the button cap.

※ Models with 'U' in the model name is available only for control unit. 'U' models do not contain "Push" markings on the button cap.

※ The LED color is the same as the control unit. ※ Waterproof cap (model: SA-WP) is available.

• Dimensions

(unit: mm)


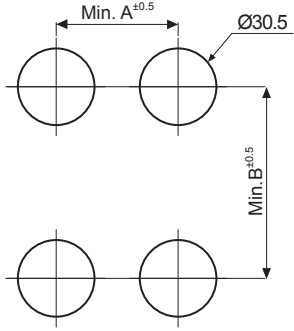





※ For panel cut-out dimensions, please refer to page A-105.

Ø30 Panel Cut-out Dimensions

Ø30 Panel Cut-out Dimensions

(unit: mm)

Type		A	B	Panel Cut-out Dimensions
Round Push Button Switches (S3PR/S3PF Series)		45	55	
Round Selector Switches (S3SF/S3SFN Series)	Short lever 	37	55	
	Long lever 	55	55	
Round Key Selector Switches (S3KF Series)		37	55	
Pilot Lights (L3RF Series)		37	55	

Control Switches

Ø16

Ø22/25

Ø30

□30

Push Button Switches

Round

Square

Rectangular

Selector Switches

Round

Square

Rectangular

Key Selector Switches

Round

Square

Rectangular

Double Push Button Switches

Mushroom-head Push Button Switches

Emergency Switches

Pilot Lights

Accessories

Buzzers